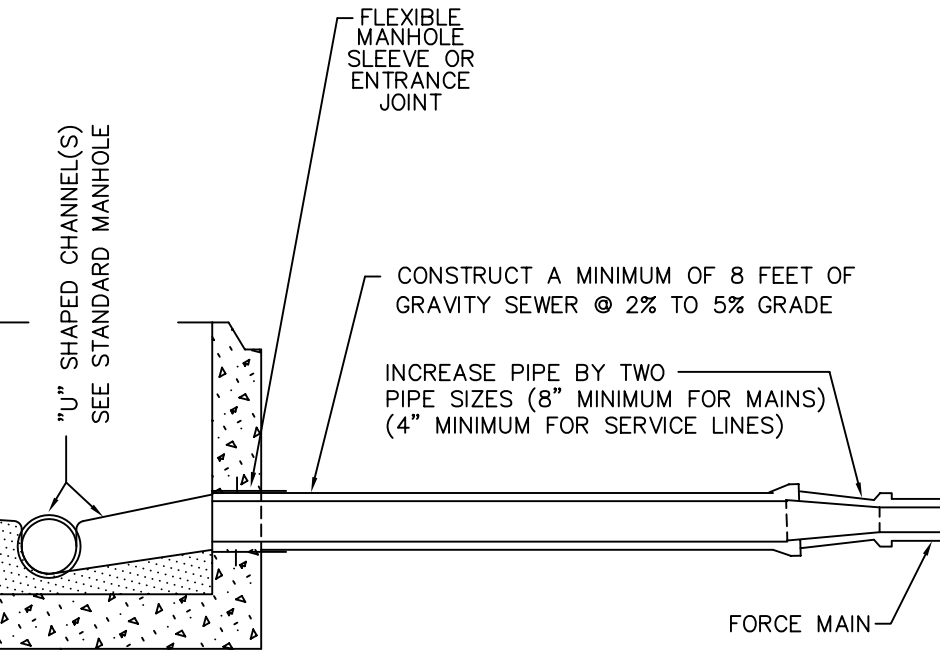


SECTIONAL PLAN

CENTERLINE OF INLET PIPING IS NOT ALLOWED IN EITHER QUADRANT ADJOINING THE MANHOLE OUTLET.



SECTION F-F

MINIMUM FORCE MAIN SIZE FOR PUBLIC SEWER SHALL BE 4" DIA.

TYPE 1 FORCE MAIN CONNECTION

DWG. NO.

5.10

PREPARED BY:

The City of North Augusta

ENGINEERING DEPARTMENT

P.O. BOX 6400 400 E. BUENA VISTA AVENUE  
NORTH AUGUSTA S.C. 29861  
(803) 441-4223

REVISIONS

DATE	BY	DESCRIPTION
9/27/06	MEN	ADDED NOTES MIN SIZE

